

For Precast
& Tilt-up
Construction

SNAP SINGLE CHAMFER (1/2" & 3/4" x 45°)

SAVE MONEY on your next project with VICTORY BEAR!

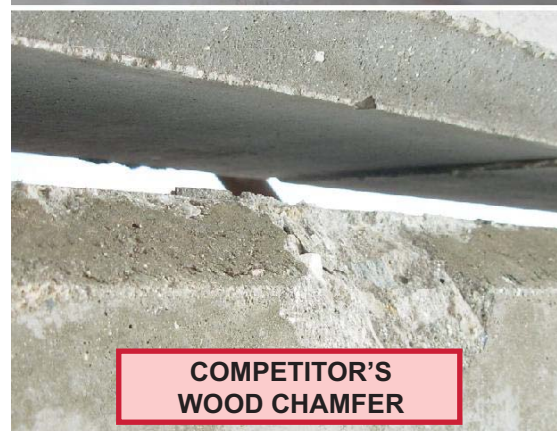
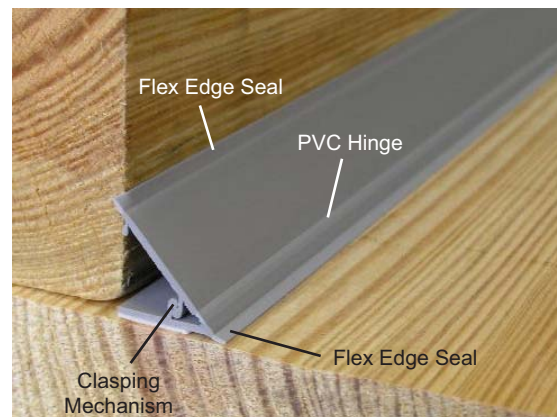
Victory Bear is an innovative concrete product supplier with deep roots in the tilt-up, precast, and cast-in-place industries. We offer the most complete line of precast and tilt-up profiles in the industry.

Our rustications and chamfers produce the cleanest and sharpest finishes in the industry. Victory Bear is a leader in innovative concrete designs – creating products, for now and for the future, that will provide the tilt-up and precast industry with unique options. Our products provide flexibility to designers and allow for a variety of design configurations in a variety of building types.

Features & Benefits

Victory Bear's Snap Single Chamfer combines two Flex Edge Seals with a hinged clasping mechanism, giving you an unbeatable chamfer!

- **New Improved Design!** – Victory Bear's Snap Single Chamfer has been designed with rigid and flexible PVC for superior performance and value! The rigid PVC creates a superior finish, while the flexible PVC creates a tight seal against the form board and casting surface, **eliminating the need for caulking in precast applications!**
- **100% PVC Reduces Costs** – PVC virtually eliminates concrete pitting caused by wood-wicking. It also eliminates discoloration caused by wood sugars. It almost entirely eliminates the need for grinding and patching, **saving you man-hours and subcontractor expenses.**
- **Patented "Flex Edge Seal"**
Our patented Flex Edge Seal fits tightly against the casting surface, preventing concrete seepage while creating sharp, crisp lines.
- **Available with Adhesive Tape**
Simply remove the tape's backing and press into place.



Victory Bear vs. Wood—as seen in the comparison above, Victory Bear chamfer's PVC surface and Flex Edge Seal virtually eliminate the need for costly finishing work.

Fukuvi USA, Inc.
Victory Bear Products
7631 Progress Court
CenterPoint 70 Commerce Park
Huber Heights, OH 45424

www.fukuvi-usa.com
www.victorybear.com



MADE IN USA

Customer Support
(937) 236-7288 ext. 247/231
aheskett@fukuvi-usa.com
jdresel@fukuvi-usa.com
Fax: (937) 236-7289



For Precast
& Tilt-up
Construction

SNAP SINGLE CHAMFER (1/2" & 3/4" x 45°)

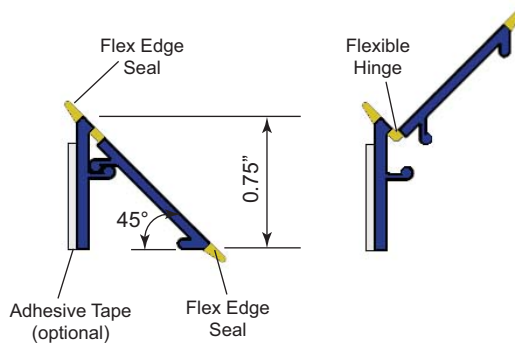
Installation

- **Step 1** – Open the Snap Chamfer. If using the optional tape, peel backing. If not using the tape, an adhesive or fasteners may be used.
- **Step 2** – Press the chamfer firmly into place. The tape side may be applied to the casting surface or to the forming board using the taped leg as a guide.
- **Step 3** – Check to ensure that the Flex Edge Seal is pressed firmly against the casting surface and the form board. Close the chamfer.

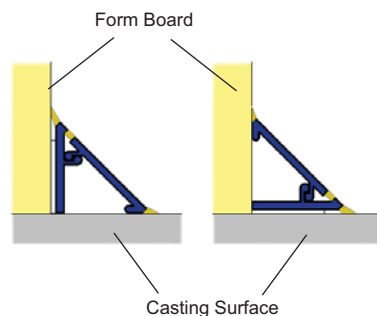
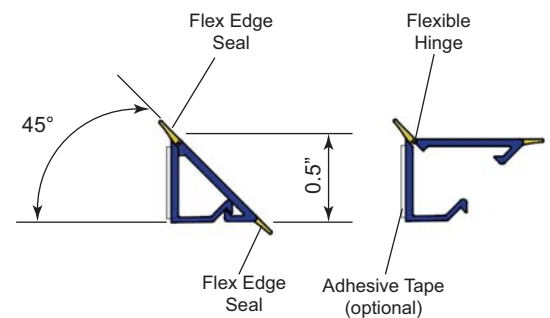


Available Sizes

Snap Single Chamfer 3/4"



Snap Single Chamfer 1/2"



The Snap Single Chamfer can be positioned with the tape against either the form board or the casting surface, depending on the installer's preference.

Specifications

Length: 8 ft.

Coefficient of Linear Expansion:
0.0132 inches per degree F

Storage: If re-using, remove all concrete residue from the plastic to prevent sticking on future pours. Materials should be stored out of direct sunlight to prevent long-term deterioration or color fading. Pieces can be stacked, but should be stored fully supported to keep them from warping.

Fukuvi USA, Inc.
Victory Bear Products
7631 Progress Court
CenterPoint 70 Commerce Park
Huber Heights, OH 45424

www.fukuvi-usa.com
www.victorybear.com



MADE IN USA

Customer Support
(937) 236-7288 ext. 247/231
aheskett@fukuvi-usa.com
jdresel@fukuvi-usa.com
Fax: (937) 236-7289