

For Precast
& Tilt-up
Construction



D R I P E D G E C H A M F E R

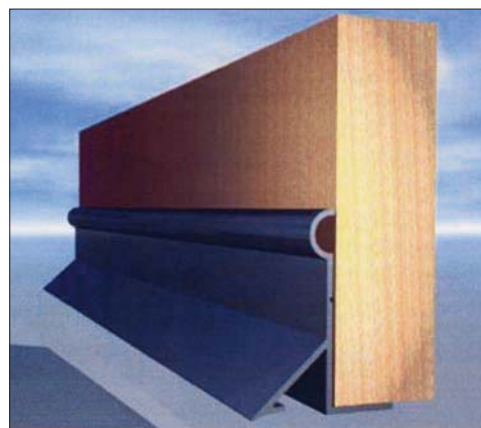
Victory Bear is an innovative concrete product supplier with deep roots in the tilt-up, pre-cast, and cast-in-place industries. We offer the most complete line of tilt-up profiles in the industry.

Our rustications and chamfers produce the cleanest and sharpest finishes in the industry. Victory Bear is a leader in innovative exterior concrete designs – creating products, for now and for the future, that will provide the tilt-up and pre-cast industry with unique options. Our products provide flexibility to designers, allowing for a variety of design configurations in a variety of building types.

Features & Benefits

The Drip Edge Chamfer is an important part of the Victory Bear chamfer system. This nonstick PVC form provides a smooth and straight chamfer and drip edge for doors, windows, dock doors and archways.

- **100% PVC Reduces Costs** – PVC virtually eliminates concrete pitting caused by wood-wicking. It also eliminates discoloration caused by wood sugars. It almost entirely eliminates the need for grinding and patching, saving you man-hours or subcontractor expenses.
- **Patented “Flexible Edge Seal”** – Our patented Flexible Edge Seal fits tightly against the casting surface, preventing concrete seepage while creating sharp, crisp lines.
- **Hidden Fastening System** – With Victory Bear there are no finish blemishes from screw heads or excess glue. All screws and glue remnants are hidden under the surface for a sharp, glass-like finish.



SAVE MONEY!

SAVE TIME!

Fukuvi USA, Inc.
Victory Bear Products
7631 Progress Court
CenterPoint 70 Commerce Park
Huber Heights, OH 45424

www.fukuvi-usa.com
www.victorybear.com



MADE IN USA

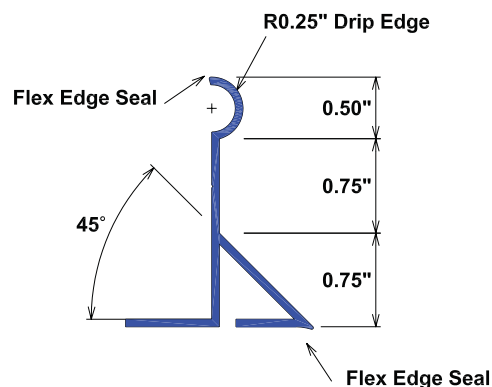
Customer Support
(937) 236-7288 ext. 247/231
aheskett@fukuvi-usa.com
jdresel@fukuvi-usa.com
Fax: (937) 236-7289

For Precast
& Tilt-up
Construction

DRIP EDGE CHAMFER

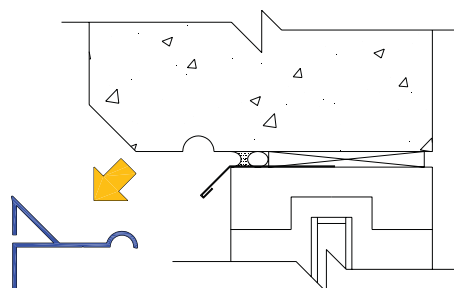
Installation

- **Step 1** – Turn the opening form (i.e. window) upside down.
- **Step 2** – Measure the chamfer length to fit the top of the form.
- **Step 3** – Miter the chamfer ends and attach the mitered parts to the wood form using fasteners or adhesives.



Coefficient of Linear Expansion:
0.0132 inches per degree F

Storage: Materials should be stored out of direct sunlight to prevent long term deterioration or color fading. Pieces can be stacked, but should be stored fully supported to keep them from warping.



Fukuvi USA, Inc.
Victory Bear Products
 7631 Progress Court
 CenterPoint 70 Commerce Park
 Huber Heights, OH 45424

www.fukuvi-usa.com
 www.victorybear.com



MADE IN USA

Customer Support
 (937) 236-7288 ext. 247/231
 aheskett@fukuvi-usa.com
 jdresel@fukuvi-usa.com
 Fax: (937) 236-7289

