

For Precast
& Tilt-up
Construction

S N A P R U S T I C A T I O N

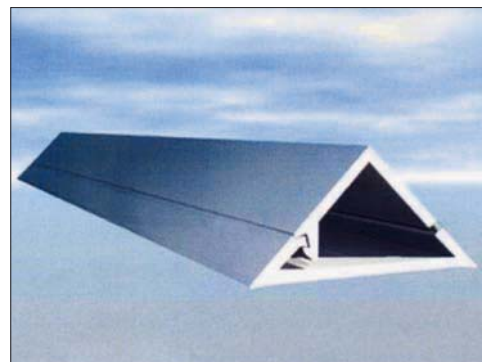
Victory Bear is an innovative concrete product supplier with deep roots in the tilt-up, pre-cast, and cast-in-place industries. We offer the most complete line of tilt-up profiles in the industry.

Our rustications and chamfers produce the cleanest and sharpest finishes in the industry. Victory Bear is a leader in innovative exterior concrete designs – creating products, for now and for the future, that will provide the tilt-up and pre-cast industry with unique options. Our products provide flexibility to designers, allowing for a variety of design configurations in a variety of building types.

Features & Benefits

Victory Bear Snap Rustications create rustication bands (reveals) in concrete walls. The Snap Rustication opens to allow nails or other fasteners to remain hidden and maintain smooth, clean rustication lines every time.

- **Better Looking** – The Snap Rustication makes fasteners invisible by eliminating marks in the finish usually left by nail heads.
- **Patented Flex Edge Seal** – The rustication's patented seal fits tightly against the casting surface, preventing concrete seepage. This gives a crisp, clean edge without pitting – and no grinding.
- **Easy to Install** – Far fewer fasteners are required compared to wood rustications. Snap Rustications can also be glued in place.



REDUCE COSTS!

SAVE TIME!

SUPERIOR FINISH!

Fukuvi USA, Inc.
Victory Bear Products
7631 Progress Court
CenterPoint 70 Commerce Park
Huber Heights, OH 45424

www.fukuvi-usa.com
www.victorybear.com



MADE IN USA

Customer Support
(937) 236-7288 ext. 247/231
aheskett@fukuvi-usa.com
jdreisel@fukuvi-usa.com
Fax: (937) 236-7289

For Precast
& Tilt-up
Construction



SNAP RUSTICATION

Installation

- **Step 1** – Mark a line where the rustication is to be placed.
- **Step 2** – If fasteners are to be used, skip to Step 3; otherwise position the Snap Rustication in place using adhesives or tape (see Figure 1).
- **Step 3** – Open the Snap Rustication and position it on the surface. Install fasteners through the bottom of the Snap Rustication and into the casting surface below (see Figure 1).
- **Step 4** – Close the Snap Rustication and check to ensure that it is fully closed and is pressed firmly against the casting surface.

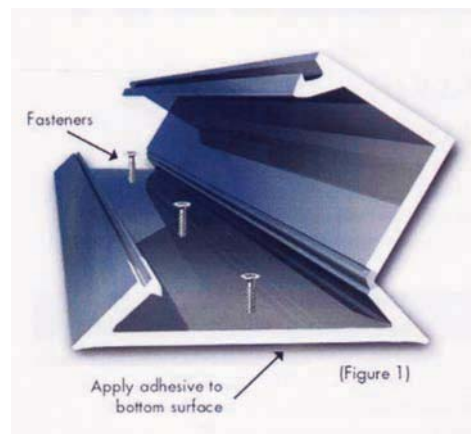
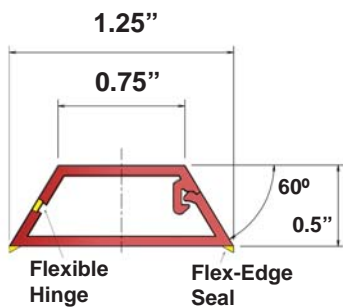
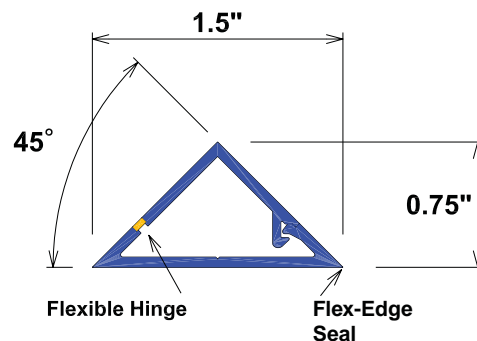


Figure 1

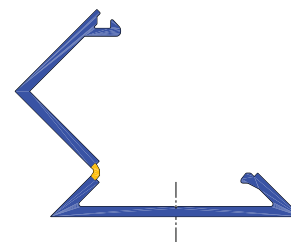
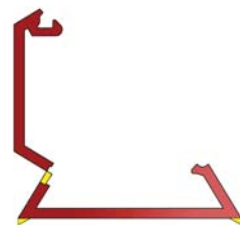
Coefficient of Linear Expansion:

0.0132 inches per degree F

Storage: Materials should be stored out of direct sunlight to prevent long-term deterioration or color fading. Pieces can be stacked, but should be stored fully supported to keep them from warping.



1.25" Snap Rustication



1.5" Tri-Snap Rustication

Fukuvi USA, Inc.
Victory Bear Products
7631 Progress Court
CenterPoint 70 Commerce Park
Huber Heights, OH 45424

www.fukuvi-usa.com
www.victorybear.com



Customer Support
(937) 236-7288 ext. 247/231
aheskett@fukuvi-usa.com
jdrasel@fukuvi-usa.com
Fax: (937) 236-7289