

For Precast
Construction



INSULATED PANEL CAP (IPC)

Let VICTORY BEAR help you protect your insulated concrete panels!
Victory Bear's **Insulated Panel Cap** was designed to help protect the insulation and cavity in sandwich panels from the possibility of moisture penetration.



Unprotected

When left unprotected, insulation and cavity are vulnerable to moisture penetration.

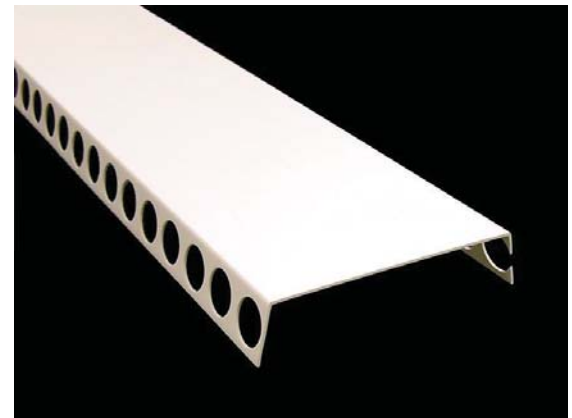


Victory Bear Protection

Victory Bear's Insulated Panel Cap provides valuable protection with minimal effort.

Features & Benefits

- **Save Time and Money** – Victory Bear IPC eliminates the need for expensive sealing tape around panel edges and window and door openings.
- **Excellent Protection** – IPC is made of durable, rigid PVC, providing maximum protection against moisture penetration.
- **Easy Installation** – IPC simply attaches to the side rail prior to the pour.
- **Panel Storage** – With IPC installed, panels can be stored outdoors and stay protected from the elements until ready for installation.



Designed for Performance: IPC is punched with holes to ensure that it securely anchors into the concrete.

Fukuvi USA, Inc.
Victory Bear Products
7631 Progress Court
CenterPoint 70 Commerce Park
Huber Heights, OH 45424

www.fukuvi-usa.com
www.victorybear.com



MADE IN USA
PATENT PENDING

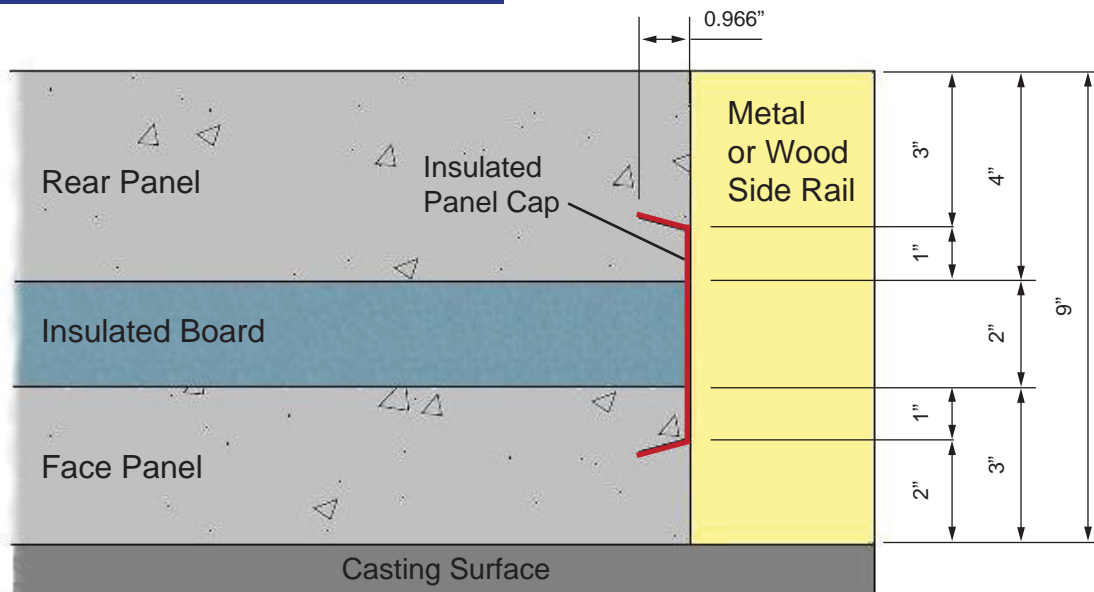
Customer Support
(937) 236-7288 ext. 247/231
aheskett@fukuvi-usa.com
jdresel@fukuvi-usa.com
Fax: (937) 236-7289

INSULATED PANEL CAP (IPC)

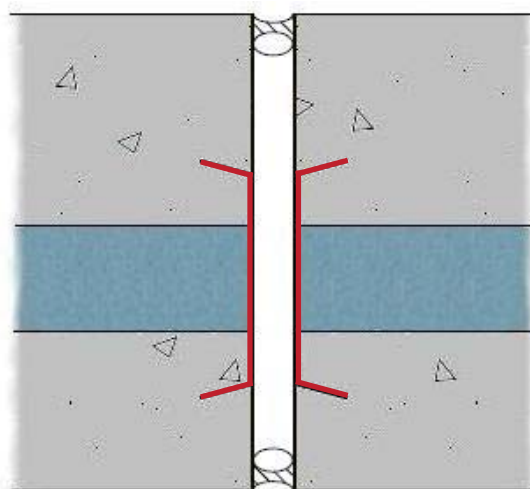
For Precast
Construction



Installation Details



Installation detail for 9" panel



The Insulation Panel Cap protects the insulation board and adjacent wythes from moisture.

Specifications

Length: 10 & 14 ft.

Packaging: 20 pieces per box

Coefficient of Linear Expansion:
0.0132 inches per degree F

Storage: Materials should be stored out of direct sunlight to prevent longterm deterioration or color fading. Pieces can be stacked, but should be stored fully-supported to keep them from warping.

Material Information

Stability: PVC compound is considered stable.

Acid Resistance Level:

- Highly resistant to acetic acid concentrations up to 50%.
- Highly resistant to hydrochloric acid concentrations up to 20%.
- Highly resistant to nitric acid concentrations up to 10%.
- Moderately resistant to nitric acid concentrations up to 30%.
- Highly resistant to sulfuric acid concentrations up to 30%.

Fukuvi USA, Inc.
Victory Bear Products
7631 Progress Court
CenterPoint 70 Commerce Park
Huber Heights, OH 45424

www.fukuvi-usa.com
www.victorybear.com



MADE IN USA
PATENT PENDING

Customer Support
(937) 236-7288 ext. 247/231
aheskett@fukuvi-usa.com
jdreisel@fukuvi-usa.com
Fax: (937) 236-7289