

For Precast  
& Tilt-up  
Construction



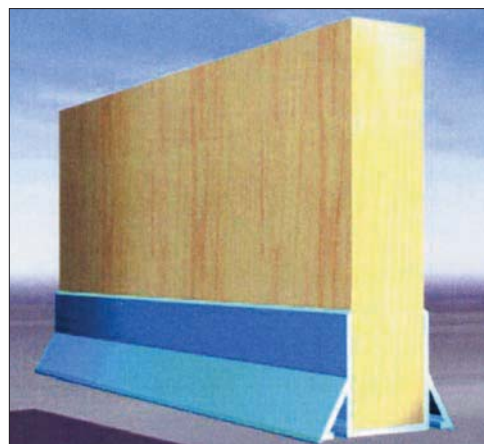
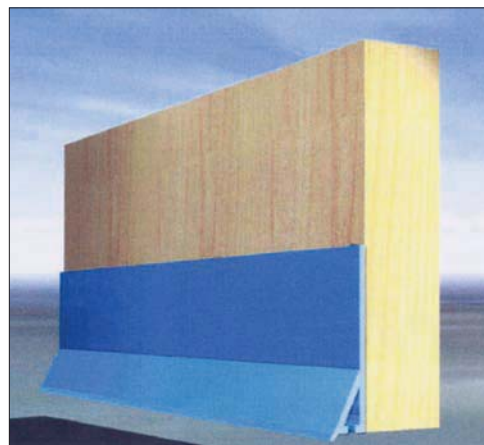
## CHAMFERS (1/2" x 60° Low Profile)

Victory Bear is an innovative concrete product supplier with deep roots in the tilt-up, pre-cast, and cast-in-place industries. We offer the most complete line of tilt-up profiles in the industry.

Our rustications and chamfers produce the cleanest and sharpest finishes in the industry. Victory Bear is a leader in innovative exterior concrete designs – creating products, for now and for the future, that will provide the tilt-up and pre-cast industry with unique options. Our products provide flexibility to designers, allowing for a variety of design configurations in a variety of building types.

### Features & Benefits

- **100% PVC Reduces Costs** – PVC virtually eliminates concrete pitting caused by wood-wicking. It also eliminates discoloration caused by wood sugars. It almost entirely eliminates the need for grinding and patching, saving you man-hours or subcontractor expenses.
- **Patented “Flexible Edge Seal”** – Our patented Flexible Edge Seal fits tightly against the casting surface, preventing concrete seepage while creating sharp, crisp lines.
- **Hidden Fastening System** – With Victory Bear there are no finish blemishes from screw heads or excess glue. All screws and glue remnants are hidden under the surface for a sharp, glass-like finish.
- **60 Degree Angles** – Tighter angles create sharper shadow lines, casting the illusion of deeper reveal strips and improving the overall aesthetics of your building.
- **Double Chamfer** – Now designed to accept 3/4 inch plywood or standard one inch lumber, allowing you greater flexibility in your lumber choice.
- **Single Chamfer** – Now attach directly to the face of the form board by nailing through the vertical nailing plate, keeping the chamfer free of blemishes.



**Fukuvi USA, Inc.**  
**Victory Bear Products**  
7631 Progress Court  
CenterPoint 70 Commerce Park  
Huber Heights, OH 45424

[www.fukuvi-usa.com](http://www.fukuvi-usa.com)  
[www.victorybear.com](http://www.victorybear.com)



**MADE IN USA**

**Customer Support**  
(937) 236-7288 ext. 247/231  
[aheskett@fukuvi-usa.com](mailto:aheskett@fukuvi-usa.com)  
[jdresel@fukuvi-usa.com](mailto:jdresel@fukuvi-usa.com)  
Fax: (937) 236-7289

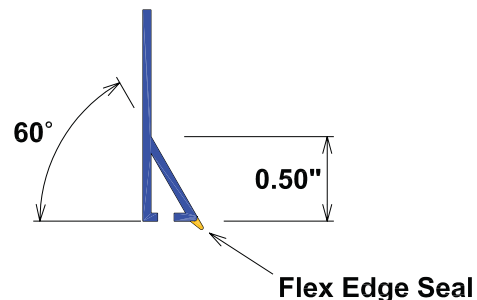
For Precast  
& Tilt-up  
Construction

## CHAMFERS (1/2" x 60° Low Profile)

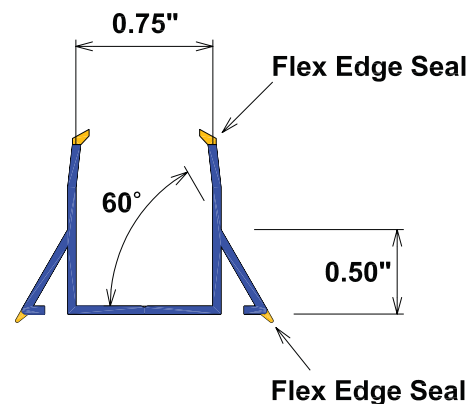
### Installation

- **Step 1** – Fasten the chamfers in place using fastener, tape or adhesive.
- **Step 2** – Check to ensure that the chamfer's edge is pressed firmly against the casting surface.
- **Step 3** – Insert lumber along the length. For wood that is swollen beyond standard dimensions, insert one side first against the flex edge then roll the other side into the channel.
- **Step 4** – For "Hanging" Single Chamfer, align chamfer along the form and casting surface. Press firmly against both and staple or nail into place. Nail guns are NOT recommended.

### "Hanging" Single Chamfer



### Double Chamfer



**Coefficient of Linear Expansion:**  
.0132 inches per degree F

**Storage:** Materials should be stored out of direct sunlight to prevent long-term deterioration or color fading. Pieces can be stacked, but should be stored fully supported to keep them from warping.

Fukuvi USA, Inc.  
Victory Bear Products  
7631 Progress Court  
CenterPoint 70 Commerce Park  
Huber Heights, OH 45424

www.fukuvi-usa.com  
www.victorybear.com



**Customer Support**  
(937) 236-7288 ext. 247/231  
aheskett@fukuvi-usa.com  
jdreisel@fukuvi-usa.com  
Fax: (937) 236-7289

