

For Precast
& Tilt-up
Construction

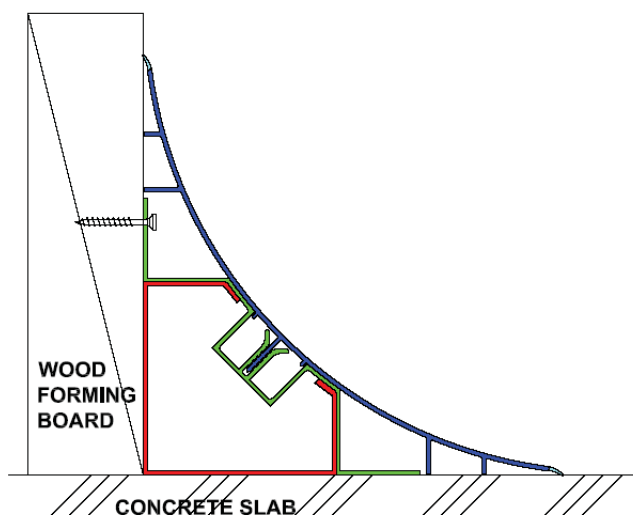
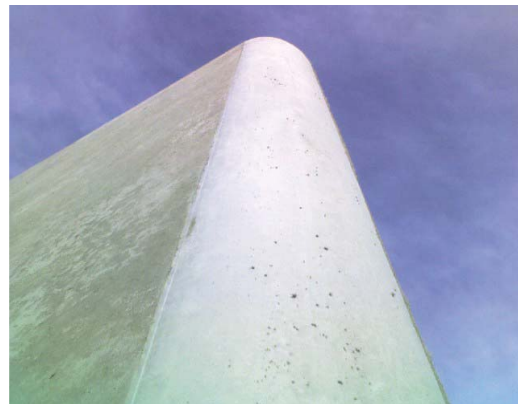
6 - I N C H R O U N D C O R N E R

Victory Bear is an innovative concrete product supplier with deep roots in the tilt-up, pre-cast, and cast-in-place industries. We offer the most complete line of tilt-up profiles in the industry.

Victory Bear's 6-inch Round Corner provides a simple and easy way to give panel edges a unique and attractive appearance.

Features & Benefits

- **100% PVC Reduces Costs** – PVC virtually eliminates concrete pitting caused by wood-wicking. It also eliminates discoloration caused by wood sugars. It almost entirely eliminates the need for grinding and patching, saving you man-hours or subcontractor expenses.
- **Patented "Flexible Edge Seal"** – Victory Bear's Flexible Edge Seal fits tightly against the casting surface, preventing concrete seepage while creating sharp, crisp lines.
- **Hidden Fastening System** – With Victory Bear there are no finish blemishes from screw heads or excess glue. All fasteners are hidden under the surface for a smooth, glass-like finish.
- **Enhanced Appearance** – Victory Bear's innovative design provides an enhanced look and feel to your finished project. This creative, reusable option provides an easier alternative to achieving the same look with wood, and at a fraction of the cost!



Fukuvi USA, Inc.
Victory Bear Products
7631 Progress Court
CenterPoint 70 Commerce Park
Huber Heights, OH 45424

www.fukuvi-usa.com
www.victorybear.com



MADE IN USA

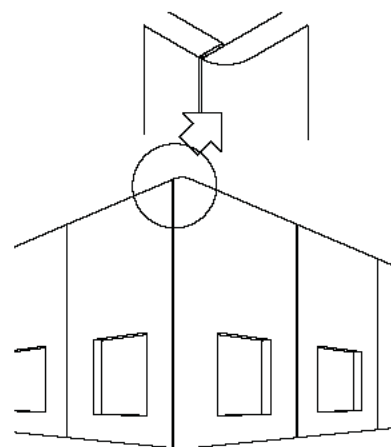
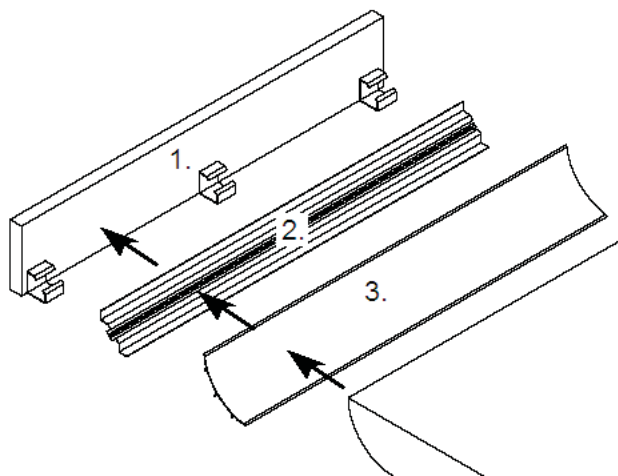
Customer Support
(937) 236-7288 ext. 247/231
aheskett@fukuvi-usa.com
jdresel@fukuvi-usa.com
Fax: (937) 236-7289

For Precast
& Tilt-up
Construction

6 - I N C H R O U N D C O R N E R

Installs in 3 easy steps:

- **Step 1:** Starting near the panel's edge, place a provided metal bracket every 2-3 feet.
- **Step 2:** Place the support clip onto the brackets and screw the clip to the board.
- **Step 3:** Snap the radius panel into the support clip and get ready to pour!



Coefficient of Linear Expansion:
.0132 inches per degree F

Storage: Materials should be stored on a flat surface out of direct sunlight. Pieces can be stacked, but should be stored fully supported to keep them from warping.

Fukuvi USA, Inc.
Victory Bear Products
7631 Progress Court
CenterPoint 70 Commerce Park
Huber Heights, OH 45424

www.fukuvi-usa.com
www.victorybear.com



Customer Support
(937) 236-7288 ext. 247/231
aheskett@fukuvi-usa.com
jdresel@fukuvi-usa.com
Fax: (937) 236-7289